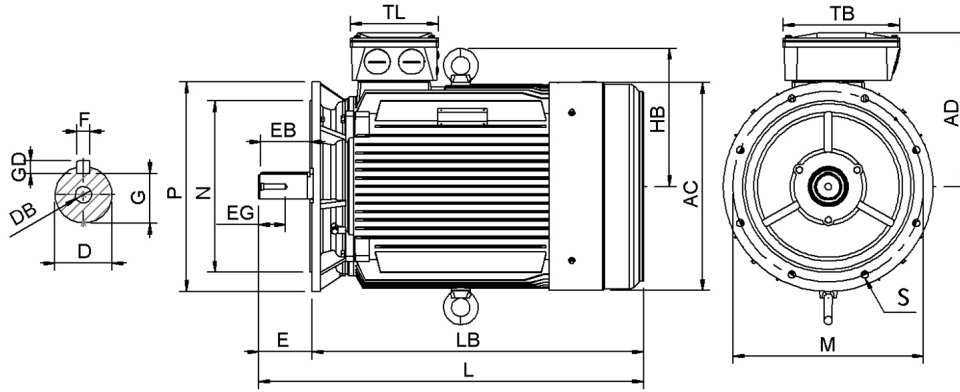


Data Sheet

Itemnumber....: 5542800200



AC = 546	DB = M20	EG = 56	GD = 12	LA = 22	N = 450	T = 5
AD = 403	E = 140	F = 20	HB = 361	LB = 839	P = 550	TB = 305
D = 75	EB = 130	G = 67,50	L = 979	M = 500	S = 8-Ø18,5	TL = 230

<p>Version Type.....: HMC3 280S-4 Design.....: Induction motor Standard series.....: IEC 60034 Phase / Voltage range.....: 3~ / Low</p> <p>Electrical design Efficiency.....: IE3 Pole.....: 4 Power at 50 Hz (kW).....: 75,0 Hz.....: 50 Voltage.....: 400VD/690VY Winding voltage.....: 400VD/690VY 50 Hz Power output (kW).....: 75,0 Duty.....: S1 Insulation class.....: F Temperature rise.....: B</p> <p>Motor protection Thermal protection main.....: PTC 3x 155 dgr Thermal protection second..: None Space heater.....: None Temperature detector.....: No SPM.....: No IR wire.....: No Tropical insulation.....: No</p> <p>Explosion protection According to.....: None Type of protection.....: None</p> <p>General Direction of rotation.....: CW Painting.....: RAL 9005 Nameplate.....: Multivoltage Special packing.....: No Special requirements.....: No</p>	<p>Mechanical design Frame size.....: 280 Mounting.....: B5 Rain cap.....: No Protection class.....: IP55 Cooling method.....: IC411/TEFC External grounding.....: Yes Drain hole.....: Yes Frame material.....: Cast Iron Material approval.....: None Shaft.....: IEC standard Key.....: Closed key Balancing.....: Half key balancing Vibration class.....: Grade-A Weight (kg).....: 572</p> <p>Environment condition Ambient temp. min. (°C)..: -20 Ambient temp. max. (°C)..: 40 Altitude (mtr up to).....: 1000</p>	<p>Bearing DE Bearing.....: 6317/C3 NDE Bearing.....: 6314/C3 Fixed bearing.....: DE</p> <p>Terminal box Tbox position.....: Top Cable entry direction.....: Right (from DE) Cable entry Main.....: 2 x M63x1,5 Plastic blindcaps Accessory.....: 2 x M20x1,5 Plastic blindcaps Terminal board thread.....: 6-M10</p> <p>Test values Rotor inertia (kgm²).....: 1,74 Noise level (dB(A)).....: 78 No load current (A).....: 39,0 Winding resist. (ohm).....: 0,048 Starting time (sec.).....: 0,28 Temp. rise winding (K).....: 57 Temp. rise surface (K).....: 37</p>
---	---	--

Rated power (kW)	75,0	73,0	90,0	87,5
Frequency (Hz)	50	50	60	60
Voltage (V)	400 690	380 660	480 830	440
Connection	D Y	D Y	D Y	D
Full load current (A)	124 72,0	128 74,5	124 72,0	128
Speed (rpm)	1490	1490	1790	1790
Power factor cos(phi)	0,88	0,89	0,88	0,89
Efficiency, 100/75/50 (%)	95,0/ 94,8 /93,8	95,0/ 94,8 /93,8	95,0/ 94,8 /93,8	94,7/ 94,5 /93,4
Ist/In	7,25	6,40	7,25	6,70
Full load torque (Nm)	480	465	480	465
Tst/Tn	2,28	2,12	2,28	1,98
Tmax/Tn	2,80	2,60	2,80	2,42
Duty	S1	S1	S1	S1
Ambient temp. (°C)	40	45	40	45