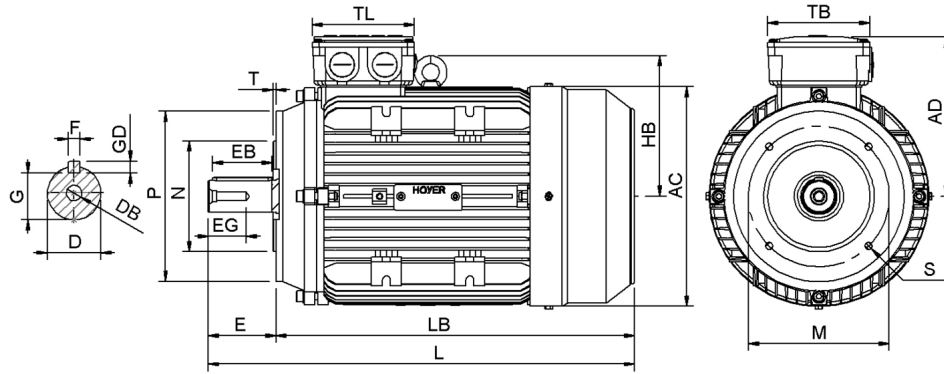


Data Sheet

Itemnumber....: 5540801309



AC = 159	DB = M6	EG = 16	GD = 6	M = 100	S = 4-M6	TL = 100
AD = 126	E = 40	F = 6	L = 298	N = 80	T = 3	
D = 19	EB = 32	G = 15,50	LB = 258	P = 120	TB = 100	

Version

Type.....: HMA3 80 2-4
 Design.....: Induction motor
 Standard series.....: IEC 60034
 Phase / Voltage range.....: 3~ / Low

Electrical design

Efficiency.....: IE3
 Pole.....: 4
 Power at 50 Hz (kW).....: 0,75
 Hz.....: 50
 Voltage.....: 230VD/400VY
 Winding voltage.....: 230VD/400VY 50 Hz
 Power output (kW).....: 0,75
 Duty.....: S1
 Insulation class.....: F
 Temperature rise.....: B

Motor protection

Thermal protection main....: PTC 3x 155 dgr
 Thermal protection second..: None
 Space heater.....: None
 Temperature detector.....: No
 SPM.....: No
 IR wire.....: No
 Tropical insulation.....: No

Explosion protection

According to.....: None
 Type of protection.....: None

General

Direction of rotation.....: CW
 Painting.....: RAL 9005
 Nameplate.....: Multivoltage
 Special packing.....: No
 Special requirements.....: No

Mechanical design

Frame size.....: 80
 Mounting.....: B14
 B14 M measure.....: 100
 Rain cap.....: No
 Protection class.....: IP55
 Cooling method.....: IC411/TEFC
 External grounding.....: Yes
 Drain hole.....: Yes
 Frame material.....: Aluminium
 Material approval.....: None
 Shaft.....: IEC standard
 Key.....: Closed key
 Balancing.....: Half key balancing
 Vibration class.....: Grade-A
 Weight (kg).....: 11,6

Environment condition

Ambient temp. min. (°C)..: -20
 Ambient temp. max. (°C)..: 40
 Altitude (mtr up to).....: 1000

Bearing

DE Bearing.....: 6204-ZZ/C3
 NDE Bearing.....: 6204-ZZ/C3
 Fixed bearing.....: DE

Terminal box

Tbox position.....: Top
 Cable entry direction.....: Right (from DE)
 Cable entry
 Main.....: 2 x M20x1,5
 Plastic blindcaps
 Accessory.....: NA
 Terminal board thread.....: 6-M4

Test values

Rotor inertia (kgm²).....: 0,0026
 Noise level (dB(A)).....: 49
 No load current (A).....: 1,14
 Winding resist. (ohm).....: 6,67
 Starting time (sec.).....: 0,03
 Temp. rise winding (K).....: 49
 Temp. rise surface (K).....: 27

Rated power (kW)	0,75	0,73	0,90	0,87
Frequency (Hz)	50	50	60	60
Voltage (V)	230 400	220 380	280 480	440
Connection	D Y	D Y	D Y	Y
Full load current (A)	3,10 1,80	3,20 1,84	3,10 1,80	1,84
Speed (rpm)	1440	1440	1730	1730
Power factor cos(phi)	0,73	0,74	0,73	0,76
Efficiency, 100/75/50 (%)	82,5/ 82,9 /81,0	82,5/ 82,9 /81,0	82,5/ 82,9 /81,0	81,3/ 81,7 /79,6
Ist/In	6,65	5,85	6,65	6,10
Full load torque (Nm)	4,95	4,80	4,95	4,80
Tst/Tn	2,95	2,75	2,95	2,55
Tmax/Tn	3,30	3,05	3,30	2,85
Duty	S1	S1	S1	S1
Ambient temp. (°C)	40	45	40	45