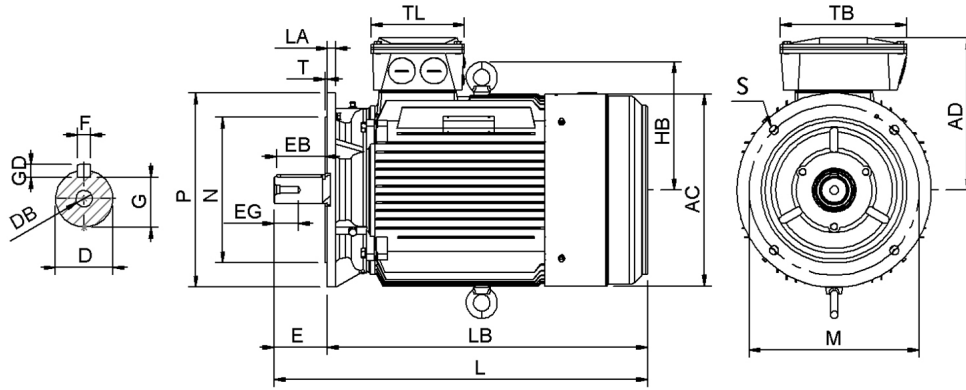


# Data Sheet

Itemnumber....: 5581601200



AC = 313	DB = M16	EG = 36	GD = 8	LA = 14	N = 250	T = 5
AD = 276	E = 110	F = 12	HB = 221	LB = 500	P = 350	TB = 218
D = 42	EB = 100	G = 37	L = 610	M = 300	S = 4-Ø18,5	TL = 162

## Version

Type.....: HMC3 160M2-8  
 Design.....: Induction motor  
 Standard series.....: IEC 60034  
 Phase / Voltage range.....: 3~ / Low

## Electrical design

Efficiency.....: IE3  
 Pole.....: 8  
 Power at 50 Hz (kW).....: 5,50  
 Hz.....: 50  
 Voltage.....: 400VD/690VY  
 Winding voltage.....: 400VD/690VY 50 Hz  
 Power output (kW).....: 5,50  
 Duty.....: S1  
 Insulation class.....: F  
 Temperature rise.....: B

## Motor protection

Thermal protection main....: PTC 3x 155 dgr  
 Thermal protection second..: None  
 Space heater.....: None  
 Temperature detector.....: No  
 SPM.....: No  
 IR wire.....: No  
 Tropical insulation.....: No

## Explosion protection

According to.....: None

## General

Direction of rotation.....: CW  
 Painting.....: RAL 9005  
 Nameplate.....: Multivoltage  
 Special packing.....: No  
 Special requirements.....: No

## Mechanical design

Frame size.....: 160  
 Mounting.....: B5  
 Rain cap.....: No  
 Protection class.....: IP55  
 Cooling method.....: IC411/TEFC  
 External grounding.....: Yes  
 Drain hole.....: Yes  
 Frame material.....: Cast Iron  
 Material approval.....: None  
 Shaft.....: IEC standard  
 Key.....: Closed key  
 Balancing.....: Half key balancing  
 Vibration class.....: Grade-A  
 Weight (kg).....: 128

## Environment condition

Ambient temp. min. (°C)..: -20  
 Ambient temp. max. (°C)..: 40  
 Altitude (mtr up to).....: 1000

## Bearing

DE Bearing.....: 6309-ZZ/C3  
 NDE Bearing.....: 6309-ZZ/C3  
 Fixed bearing.....: DE

## Terminal box

Tbox position.....: Top  
 Cable entry direction.....: Right (from DE)  
 Cable entry  
 Main.....: 2 x M40x1,5  
 Plastic blindcaps  
 Accessory.....: 2 x M20x1,5  
 Plastic blindcaps  
 Terminal board thread.....: 6-M6

## Test values

Rotor inertia (kgm<sup>2</sup>).....: 0,11  
 Noise level (dB(A)).....: 56  
 No load current (A).....: 7,30  
 Winding resist. (ohm).....: 2,01  
 Starting time (sec.).....: 0,05  
 Temp. rise winding (K).....: 43  
 Temp. rise surface (K).....: 25

Rated power (kW)	5,50	5,35	6,60	6,40
Frequency (Hz)	50	50	60	60
Voltage (V)	400 690	380 660	480 830	440
Connection	D Y	D Y	D Y	D
Full load current (A)	12,4 7,20	12,8 7,45	12,4 7,20	12,8
Speed (rpm)	720	720	860	860
Power factor cos(phi)	0,74	0,75	0,74	0,77
Efficiency, 100/75/50 (%)	86,2/ 86,9 /85,8	86,2/ 86,9 /85,8	86,2/ 86,9 /85,8	85,2/ 85,9 /84,8
Ist/In	6,05	5,30	6,05	5,55
Full load torque (Nm)	73,0	71,0	73,0	71,0
Tst/Tn	2,55	2,38	2,55	2,20
Tmax/Tn	2,75	2,55	2,75	2,38
Duty	S1	S1	S1	S1
Ambient temp. (°C)	40	45	40	45