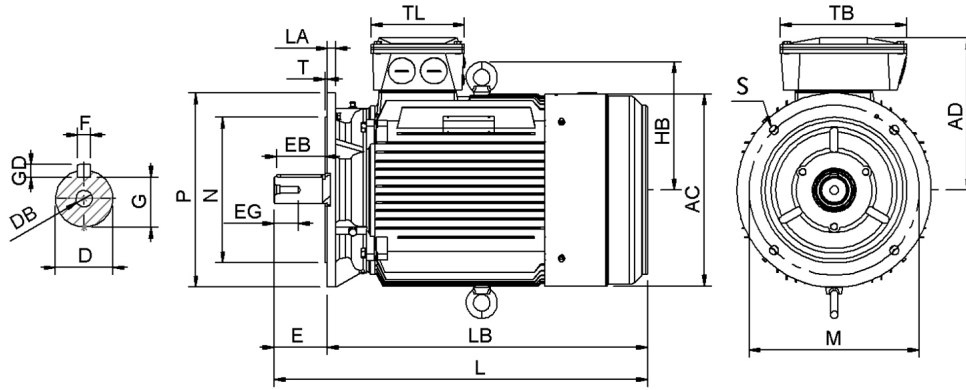


Data Sheet

Itemnumber....: 5542000200



| | | | | | | |
|----------|----------|---------|----------|----------|-------------|----------|
| AC = 396 | DB = M20 | EG = 50 | GD = 10 | LA = 17 | N = 300 | T = 5 |
| AD = 313 | E = 110 | F = 16 | HB = 264 | LB = 659 | P = 400 | TB = 260 |
| D = 55 | EB = 100 | G = 49 | L = 769 | M = 350 | S = 4-Ø18,5 | TL = 192 |

Version

Type.....: HMC3 200L-4
 Design.....: Induction motor
 Standard series.....: IEC 60034
 Phase / Voltage range.....: 3~ / Low

Electrical design

Efficiency.....: IE3
 Pole.....: 4
 Power at 50 Hz (kW).....: 30,0
 Hz.....: 50
 Voltage.....: 400VD/690VY
 Winding voltage.....: 400VD/690VY 50 Hz
 Power output (kW).....: 30,0
 Duty.....: S1
 Insulation class.....: F
 Temperature rise.....: B

Motor protection

Thermal protection main.....: PTC 3x 155 dgr
 Thermal protection second..: None
 Space heater.....: None
 Temperature detector.....: No
 SPM.....: No
 IR wire.....: No
 Tropical insulation.....: No

Explosion protection

According to.....: None
 Type of protection.....: None

General

Direction of rotation.....: CW
 Painting.....: RAL 9005
 Nameplate.....: Multivoltage
 Special packing.....: No
 Special requirements.....: No

Mechanical design

Frame size.....: 200
 Mounting.....: B5
 Rain cap.....: No
 Protection class.....: IP55
 Cooling method.....: IC411/TEFC
 External grounding.....: Yes
 Drain hole.....: Yes
 Frame material.....: Cast Iron
 Material approval.....: None
 Shaft.....: IEC standard
 Key.....: Closed key
 Balancing.....: Half key balancing
 Vibration class.....: Grade-A
 Weight (kg).....: 282

Environment condition

Ambient temp. min. (°C)..: -20
 Ambient temp. max. (°C)..: 40
 Altitude (mtr up to).....: 1000

Bearing

DE Bearing.....: 6312/C3
 NDE Bearing.....: 6312/C3
 Fixed bearing.....: DE

Terminal box

Tbox position.....: Top
 Cable entry direction.....: Right (from DE)
 Cable entry
 Main.....: 2 x M50x1,5
 Plastic blindcaps
 Accessory.....: 2 x M20x1,5
 Plastic blindcaps
 Terminal board thread.....: 6-M8

Test values

Rotor inertia (kgm²).....: 0,41
 Noise level (dB(A)).....: 61
 No load current (A).....: 20,2
 Winding resist. (ohm).....: 0,19
 Starting time (sec.).....: 0,13
 Temp. rise winding (K).....: 57
 Temp. rise surface (K).....: 37

| | | | | |
|---------------------------|----------------|----------------|----------------|----------------|
| Rated power (kW) | 30,0 | 29,0 | 36,0 | 35,0 |
| Frequency (Hz) | 50 | 50 | 60 | 60 |
| Voltage (V) | 400 690 | 380 660 | 480 830 | 440 |
| Connection | D Y | D Y | D Y | D |
| Full load current (A) | 53,0 31,0 | 55,0 32,0 | 53,0 31,0 | 55,0 |
| Speed (rpm) | 1480 | 1480 | 1760 | 1760 |
| Power factor cos(phi) | 0,87 | 0,88 | 0,87 | 0,88 |
| Efficiency, 100/75/50 (%) | 93,6/93,7/93,0 | 93,6/93,7/93,0 | 93,6/93,7/93,0 | 93,2/93,3/92,5 |
| Ist/In | 8,20 | 7,20 | 8,20 | 7,55 |
| Full load torque (Nm) | 194 | 188 | 194 | 188 |
| Tst/Tn | 2,90 | 2,65 | 2,90 | 2,50 |
| Tmax/Tn | 3,25 | 3,00 | 3,25 | 2,80 |
| Duty | S1 | S1 | S1 | S1 |
| Ambient temp. (°C) | 40 | 45 | 40 | 45 |